

The CDUF Conical charge is supplied as an empty product, intended to be filled by the User with 12kg of Plastic Explosive, such as PE8, prior to being deployed.

It is intended to produce a linear hole in a wide range of target materials (eg concrete, steel, soil etc). If being used as a route denial product then the borehole created by the CDUF Conical Charge can then be filled with additional Plastic Explosive and detonated to produce a crater.

The CDUF Conical Charge Empty consists of a circular plastic body, bottom mounting flange, compression plate, lid, copper cone, four standoff legs and a mounting plate. The plastic bottom mounting flange retains the copper cone in position within the charge body. The charge body identifies the correct fill level by means of a yellow fill to line.

A Tamping Tool is provided to aid the user in achieving a consistent fill with explosive material without any voids. It incorporates a "chisel" point at one end, useful for getting down into the bottom corners of the charge. The opposite end of the tamping tool is domed and can be used for compacting the explosive material further up to the charge fill level.



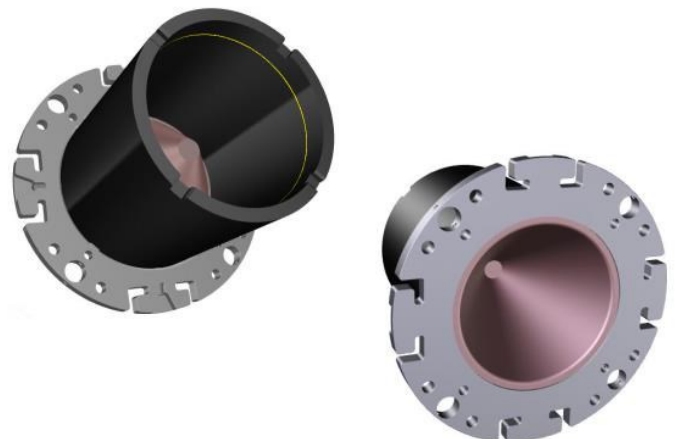
The plastic mandrel (dummy detonator) should be used when screwing the initiation gland into the lid to create a void in the plastic explosive fill prior to a live initiator being used.



Technical Details	
Dimensions	Ø372 x 825
Charge Weight (kg)	12 when filled
Temperature (°C)	-46 to +71
Storage Life	Indefinite until filled

References	
Product Code	0100008
NATO Stock Number	1375-99-958-9926

Shipping Information (in approved packaging)	
Outer Pack	Cardboard Box
Quantity per Pack	1
Gross Weight (kg)	11.5
Dimensions	864 x 400 x 385



Chemring Energetics UK Ltd

Ardeer Site, Stevenston, Ayrshire, KA20 3LN, UK
Tel: 01294 487007 | Email: info@chemringenergetics.co.uk

Registered Office: Ardeer Site, Stevenston, Ayrshire, KA20 3LN

Approved to ISO 9001 | Part of the Chemring Group

©This document is copyright and is wholly proprietary owned by Chemring Energetics UK Limited - August 24

Issue 02

For more information visit:

www.chemring.com/chemring-energetics-uk

The information in this datasheet should not be used as a technical specification, for engineering calculations, or for system design and integration. It is provided in good faith and is subject to change without notification. It is for the customer and/ or System Design Authority to satisfy themselves of the safety and suitability for its own particular purpose